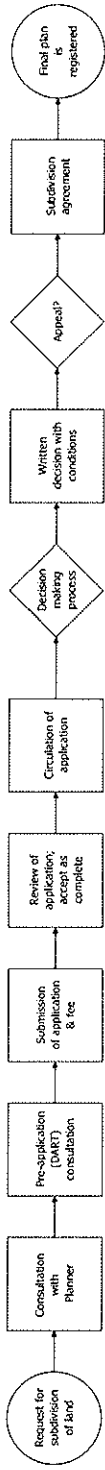


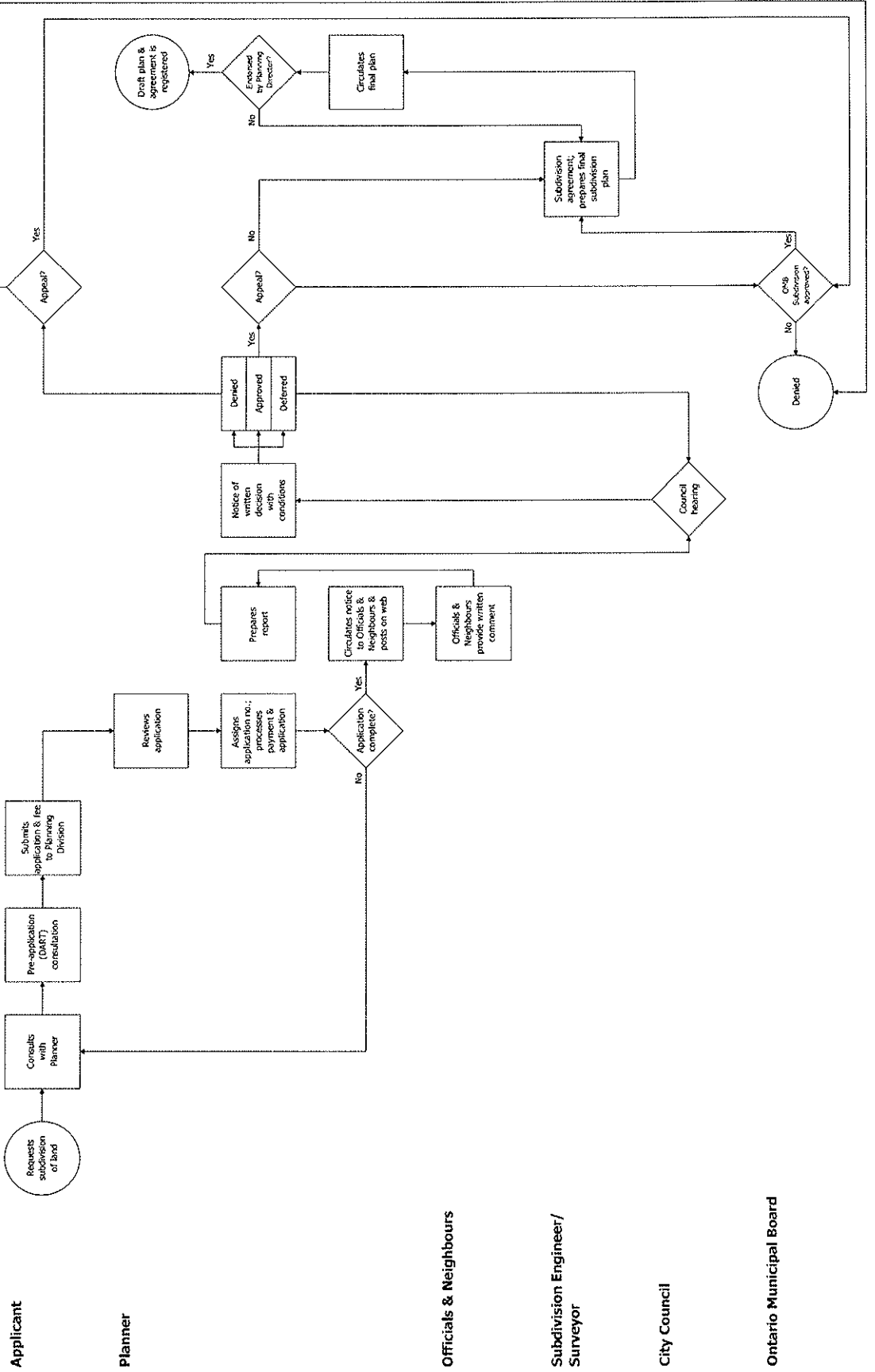
Subdivision Process (Section 51)

Sault Ste. Marie Planning Division

Level 1: What is involved?



Level 2: Who does what?



Officials & Neighbours

Subdivision Engineer/
Surveyor

City Council

Ontario Municipal Board